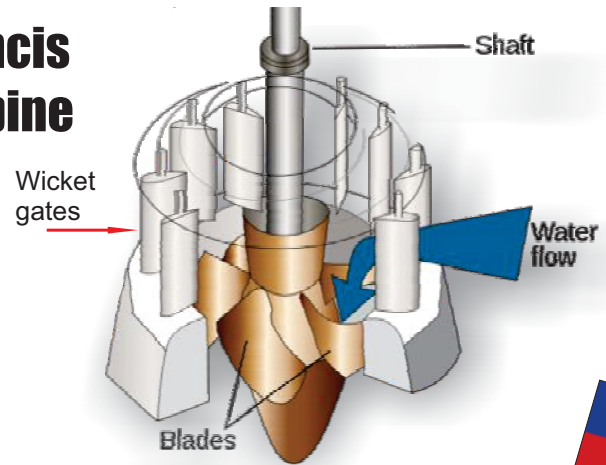
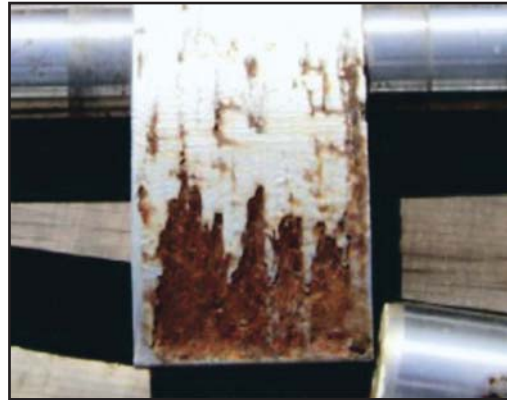


## Francis Turbine Wicket Gates Repaired & Protected With CeramAlloy

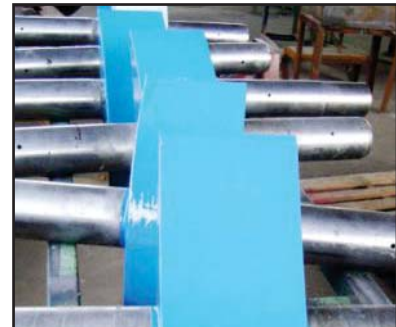
### Francis Turbine



These wicket gates for a Francis turbine, used in the hydroelectric industry, direct high flowing water so it hits the blades of the turbine at the most efficient angle. They suffer from constant erosion / corrosion when they are not protected properly. Most companies would toss worn wicket gates into their 'bone yards' and buy very expensive new gates for their turbines. ENECON Chile was contacted to prescribe a more cost effective and fast solution.



It was decided to prepare the surfaces by grit blasting to remove all of the fatigued and corroded metal. CeramAlloy CP+AC was then used to rebuild the gates. CeramAlloy CL+AC, in gray, was applied as a first coat followed by CeramAlloy CL+AC, in blue, as the second and final coat.



This Chilean hydroelectric company is pleased with not only the results, but the time and money that they have saved which is in the hundreds of thousands of dollars and counting. They are now using CeramAlloy to repair and protect pump casings, impellers, valves, etc. from severe erosion / corrosion. Now these components are longer lasting and *better than NEW!*



PROENECON SYSTEMS, S.A. · C/ Electricitat, 6. Pol. Ind. La Torre · 08760 - MARTORELL. Barcelona.  
· Telf: 93 211.15.30 · Fax: 93.253.11.31

Website: [www.proenecon.com](http://www.proenecon.com) · Email: [eneconib@proenecon.com](mailto:eneconib@proenecon.com)